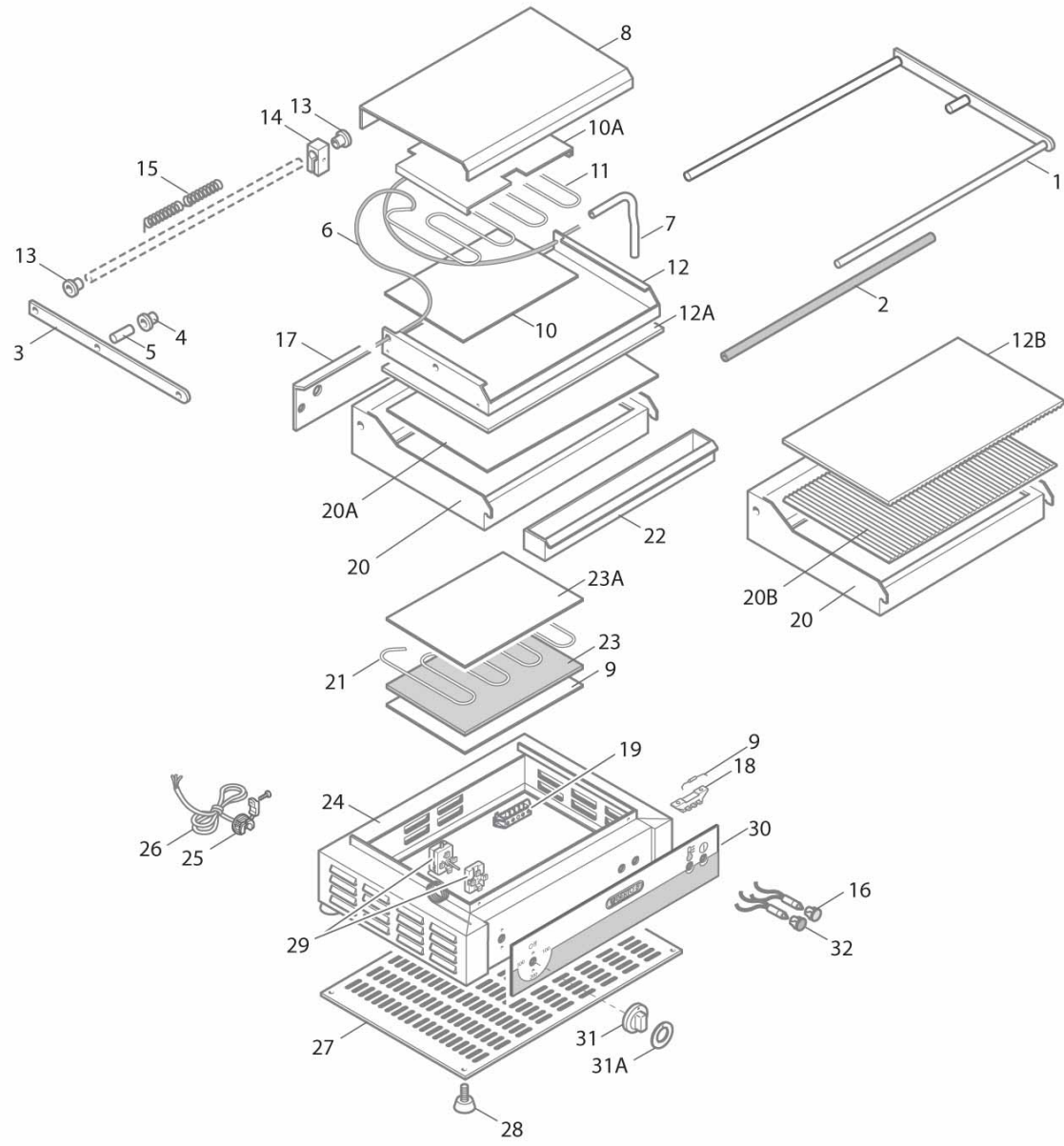




PMR/VTR





PMR/VTR

Pos. Item	Codice Code	Descrizione	Item Description	Designation articles	Artikelbeschreibung	Decripción artículos	N° pezzi - No. pieces					
1	30876300	Ass. maniglia dx pm	Handle assembly rh pm	Poignee complete droite pm	Kompletter griff pm	Conjunto asa dcha. pm						1
2	30875400	Manico moplen rosso pm	Red moplen pin pm	Manche moplen rouge pm	Roter moplen griff pm	Asa moplen roja pm						1
3	30875700	Manico laterale ps/pm/pd zn	Lateral handle ps/pm/pd zn	Manche latÉral ps/pm/pd zn	Seitlicher griff ps/pm/pd zn	Asa lateral ps/pm/pd zn						1
4	30779900	Boccola zincata x piastre st/s	Galvanised bushing	Douville galvanisÉe	Verzinkte buchse	Boquilla cincada						2
5	30908100	Perno laterale per piastra zn	Lateral pin	Pivot latÉral	Seitlicher bolzen	Perno lateral						1
6	30193400	Tube vetro d.5 l.250 mm	Glass tube	Tube verre	Isolierend kleines rohr fuer	Tube vidrio						2
7	30810100	Curvetta passafili dx ps/pm/pd	Rh angle conduit	Conduit de protection cÅbles d	R.gebogenes stÜck drahtfÜhrung	Codo para cables derecho						1
8	30804700	Coperchio pm st/vtr	Lid pm st/vtr	Couvercle pm st/vtr	Deckel pm st/vtr	Tapa pm st/vtr						1
9	30978000	Termofusibile 167°c ps/pm/pd	Thermofuse 167°c ps/pm/pd	Thermofusible 167°c ps/pm/pd	Thermoschmelzdraht 167°c ps/pm	Termofusible 167°c ps/pm/pd						1
10	30868700	Lastra protez. ferro media	Middle protective sheet	Plaque de protection moyenne	Einzelne schutzplatte	Placa de proteccion media						1
10A	30809600	Ass. premir. coperchio pm/vtr	Heating element presser	Couvercle presse-rÉsistance	DeckelwiderstandsdrÜcker	Tapa prensa-resistencia						2
11	30024100	Res.sup.compl. 1000w-230v pm	1000 w - 230 v heating elem.	RÉsistance 1000 w - 230 v	Widerstand 1000 w - 230 v	Resistencia 1000 w - 230 v						1
12	30809400	Cornice coperchio pm/vtr	Cover frame pm/vtr	Cadre du couvercle pm/vtr	Deckelrahmen pm/vtr	Marco tapa pm/vtr						1
12A	30911600	Vetro superiore pm/vtr 204x341	Top glass pm/vtr 204x341	Verre supÉrieure pm/vtr 204x34	Oberes glas pm/vtr 204x341	Cristal superior pm/vtr 204x34						1
12B	30911700	Vetro super. pmr/vtr 204x341	Top glass pmr/vtr 204x341	Verre supÉrieure pmr/vtr 204x3	Oberes glas pmr/vtr 204x341	Cristal superior pmr/vtr 204x3						1
13	30780200	Boccola zn con cava ps/pm/pd s	Bushing with cavity	Douille creuse	Buchse mit nut	Boquilla ranurada						2
14	30779100	Blocco frizione ps/pm/pd st-vt	Clutch blockage ps/pm/pd st-v	Blocage friction ps/pm/pd st-v	Blockung fuer kupplung	Bloqueo friccion						1
15	30613100	Molla pd/vtr	Spring pd/vtr	Ressort pd/vtr	Feder pd/vtr	Muelle pd/vtr						1
16	30168800	Spia verde 230v d.10mmt150Ø	Green lamp 230v	Temoin lumineux vert 230v	Grüne kontrollampe 230v	Piloto verde 230v						1
17	30790300	Carter pm/st-vtr	Rear casing pm/st-vtr	Carter arriÉre pm/st-vtr	Hinteres gehÄuse pm/st-vtr	Carter posterior pm/st-vtr						1
18	30184800	Morsettiera laterale fv 77/3	Lateral terminal board fv 77/3	Bornier latÉral fv 77/3	Seitliche klemmenleiste fv 77/	Bornera lateral fv 77/3						1
19	30183800	Morsettiera a 3 poli fv 110 b	Terminal board 3 poles	Bornier 3 poles	Klemmenleiste	Bornera 3 polos						1
20	30910900	Ass.piastra inferiore pm/vtr	Lower plate pm/vtr	Plaque infÉrieure pm/vtr	Untere platte pm/vtr	Placa inferior pm/vtr						1
20A	30912100	Vetro infer. pmr/vtr 235x376	Lower glass pmr/vtr 235x376	Verre infÉrieure pmr/vtr 235x3	Unteres glas pmr/vtr 235x376	Cristal inferior pmr/vtr 235x3						1
20B	30912000	Vetro inferiore pm/vtr 235x376	Lower glass pm/vtr 235x376	Verre infÉrieure pm/vtr 235x37	Unteres glas pm/vtr 235x376	Cristal inferior pm/vtr 235x37						-
21	30024300	Res.inf.compl.1500w-230v pm	1500 w - 230 v heating elem.	RÉsistance 1500 w - 230 v	Widerstand 1500 w - 230 v	Resistencia 1500 w - 230 v						1
22	30792000	Ass.cassetto raccogliughi pm	Drip tray pm	Bac recueille-sauces pm	Sossen-auffangschale pm	CajŌn colector de jugos pm						1
23	30921800	Quadrotto isomart ps/pd-pm/vtr	Isomart panel 210x170x4	Tableau isomart 210x170x4	Isolierender trenner 210x170x4	Panel isomart 210x170x4						2
23A	30868100	Last.copri resist/vetro pm/vtr	Lower heating elem. cover shee	Plaque cache-rÉsistance infÉri	Unteren widerstandsdeckelplatt	Placa cubre-resistencia inferi						1
24	30863500	Ass.involucro base pm/ld-vtr-s	Base enclosure pm/ld-vtr-st-sx	Couverture base pm/ld-vtr-st-s	HÜlle basis pm/ld-vtr-st-sx	Envoltura base pm/ld-vtr-st-sx						1
25	30185400	Passacavo pa 277 i.m.q.	Cable guide	Passe-cÅble	KabelfÜhrung	Aislador pasapanel						1
26	30192400	Cavo 3x1.5 ps/pm	Power supply cable 3 x 1,5mm	Cable d'alimentation 3 x 1,5mm	Versorgungskabel 3 x 1,5mm	Cable de alimentacion 3x1,5 mm						1
27	30838200	Fondo per pm/ld-st-vtr	Bottom pm/ld-st-vtr	Fond pm/ld-st-vtr	Boden pm/ld-st-vtr	Fondo pm/ld-st-vtr						1
28	30684100	Piedinoxbanc d.30xm8condado ba	Foot h.6mm	Pied h.6mm	Fuss h.6mm	Pata h.6mm						4
29	30064600	Termostato 270°c. + commutator	270°c thermostat + cycle selec	Thermostat 270°c + commutateur	Thermostat 270°c + umschalter	Termostato 270°c + conmutador						1
30	30899400	Pannello piastra media berto's	Berto's adhesive panel	Panneau adhÉsif berto's	Haftendes paneel berto's	Panel adhesivo berto's						1
31	35877200	Manopola rossa p. 6x4.6 a o° r	Red knob p. 6x4.6 a o° ral3000	Manette rouge p. 6x4.6 a o° r	Drehknopf p. 6x4.6 a o° ral300	Mando rojo p. 6x4.6 a o° ral30						1
31A	31953500	Serig.rossa manop.frytop/forno	Knob serigraphy	Serigraphie manette	Drehknopfserigraphie	Serigrafia mando						1
31	35876200	Manopola rossa p. 6x4.6 a o°	Red knob 6x4.6 o° c	Manette rouge 6x4.6 o° c	Drehknopf 6x4.6 o° c	Mando rojo 6x4.6 o° c						1
32	30168500	Spia arancio 230v d.10mmt150Ø	Orange lamp 230v	Temoin lumineux orange 230v	Orange kontrollampe 230v	Piloto naranja 230v						1